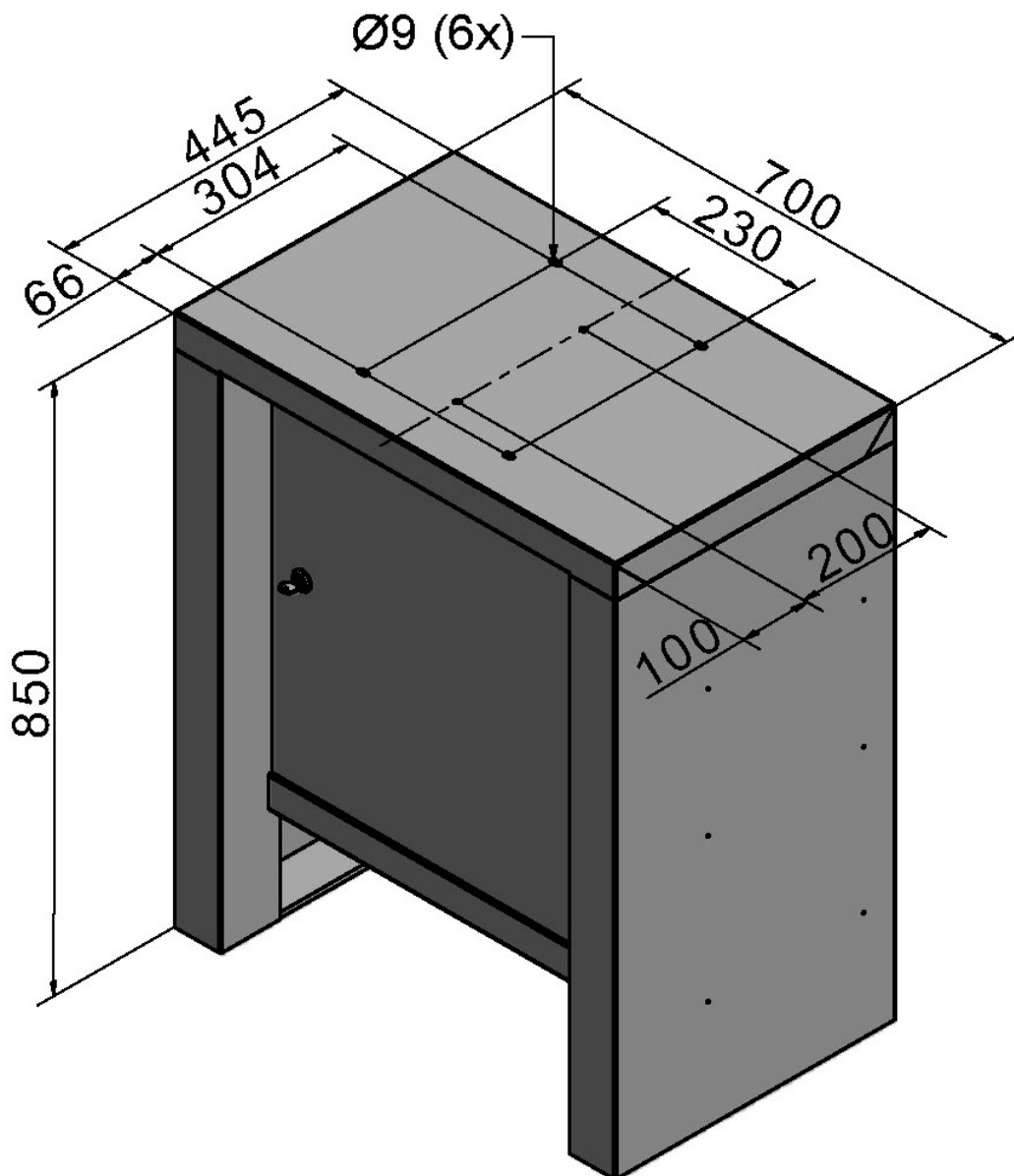


**Assembled dimensions machine base cabinet
for all milling machines without machine safety cabin
top view**



Assembled dimensions machine base cabinet for all milling machines without machine safety cabin view from below

